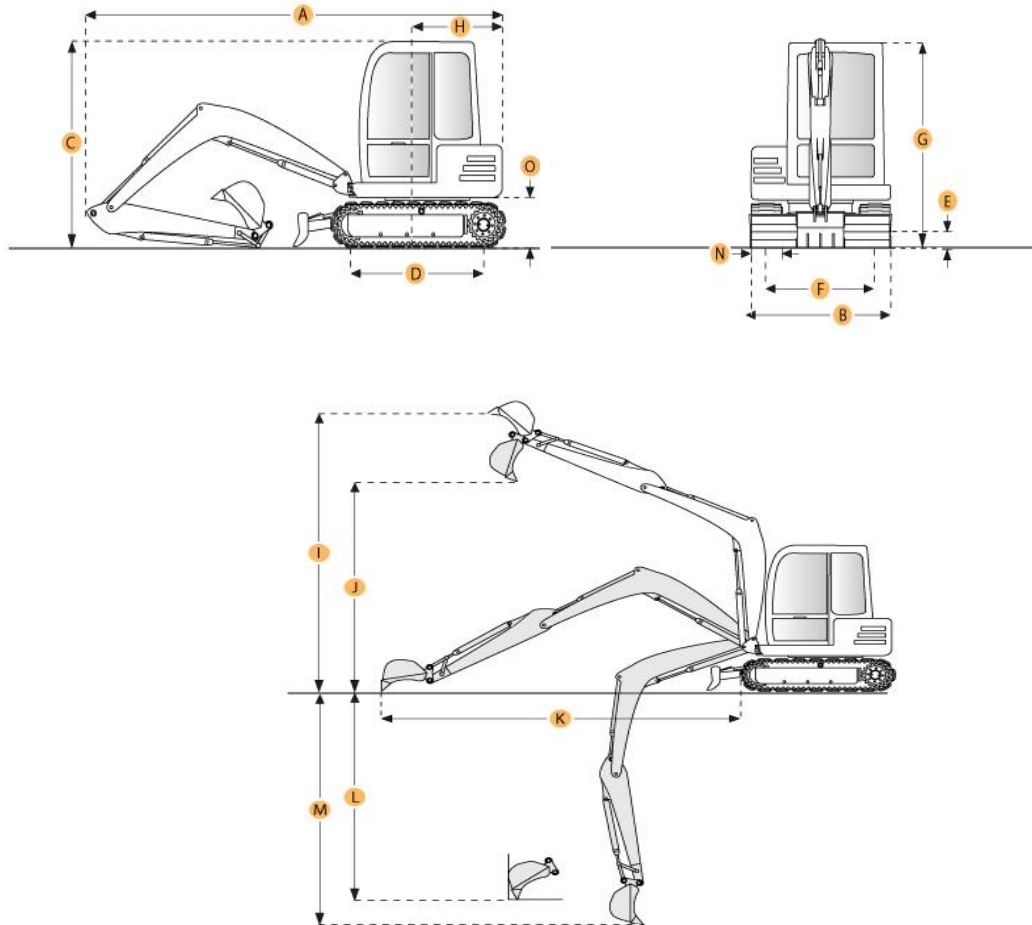


## Komatsu PC60-7 Midi Excavator



### Selected Dimensions

#### Boom/Stick Option

A. Shipping Length of Unit	19.9 ft in	6080 mm
C. Shipping Height of Unit	8.5 ft in	2590 mm
I. Max Cutting Height	23.5 ft in	7150 mm
J. Max Loading Height	16.5 ft in	5015 mm
K. Max Reach Along Ground	20.4 ft in	6220 mm
L. Max Vertical Wall Digging Depth	11.5 ft in	3505 mm
M. Max Digging Depth	13.5 ft in	4100 mm

#### Dimensions

B. Width to Outside of Tracks	7.1 ft in	2150 mm
D. Length of Track on Ground	7 ft in	2130 mm
E. Ground Clearance	1.1 ft in	350 mm
G. Height to Top of Cab	8.5 ft in	2590 mm

**All About Heavy Equipment & Truck**



H. Tail Swing Radius	5.7 ft in	1750 mm
O. Counterweight Clearance Undercarriage	2.5 ft in	750 mm
F. Track Gauge	5.6 ft in	1700 mm
N. Shoe Size	17.7 in	450 mm

## Specification

### Engine

Make	Komatsu	
Model	4D102E	
Gross Power	53.6 hp	40 kw
Power Measured @	1750 rpm	
Displacement	239.2 cu in	3.9 L
Number of Cylinders	4	

### Operational

Operating Weight	13845 lb	6280 kg
Fuel Capacity	34.3 gal	130 L
Hydraulic System Fluid Capacity	15.1 gal	57 L
Hydraulic System Relief Valve Pressure	3560 psi	24545.3 kPa
Hydraulic Pump Flow Capacity	40.9 gal/min	155 L/min

### Swing Mechanism

Swing Speed	12 rpm
-------------	--------

### Undercarriage

Shoe Size	17.7 in	450 mm
Ground Pressure	4.3 psi	29.6 kPa
Max Travel Speed	2.8 mph	4.5 km/h
Track Gauge	5.6 ft in	1700 mm

### Buckets

Reference Bucket Capacity	0.37 yd <sup>3</sup>	0.28 m <sup>3</sup>
Minimum Bucket Capacity	0.12 yd <sup>3</sup>	0.09 m <sup>3</sup>
Maximum Bucket Capacity	0.47 yd <sup>3</sup>	0.36 m <sup>3</sup>

### Boom/Stick Option (HEX) 1

Boom/Stick Option (HEX) 1	Boom 12'2" (3710mm)/Stick 5'5" (1650mm)	
Shipping Height of Unit	8.5 ft in	2590 mm
Shipping Length of Unit	19.9 ft in	6080 mm
Max Digging Depth	13.5 ft in	4100 mm

Max Reach Along Ground	20.4 ft in	6220 mm
Max Cutting Height	23.5 ft in	7150 mm
Max Loading Height	16.5 ft in	5015 mm
Max Vertical Wall Digging Depth	11.5 ft in	3505 mm

**Boom/Stick Option (HEX) 2**

Boom/Stick Option (HEX) 2	Boom 12'2" (3710mm)/Stick 7'5" (2250mm)	
Shipping Height of Unit	9.3 ft in	2830 mm
Shipping Length of Unit	20 ft in	6105 mm
Max Digging Depth	15.1 ft in	4600 mm
Max Reach Along Ground	22.2 ft in	6770 mm
Max Cutting Height	23.4 ft in	7120 mm
Max Loading Height	16.5 ft in	5030 mm
Max Vertical Wall Digging Depth	12.5 ft in	3805 mm

**Dimensions**

Width to Outside of Tracks	7.1 ft in	2150 mm
Height to Top of Cab	8.5 ft in	2590 mm
Ground Clearance	1.1 ft in	350 mm
Counterweight Clearance	2.5 ft in	750 mm
Tail Swing Radius	5.7 ft in	1750 mm
Length of Track on Ground	7 ft in	2130 mm

**New & Used Heavy Equipment**